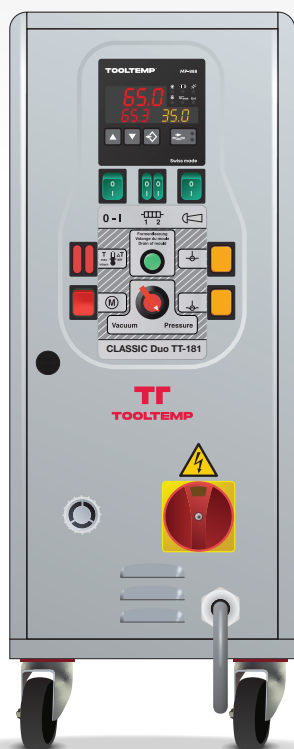


CLASSIC Duo TT-181

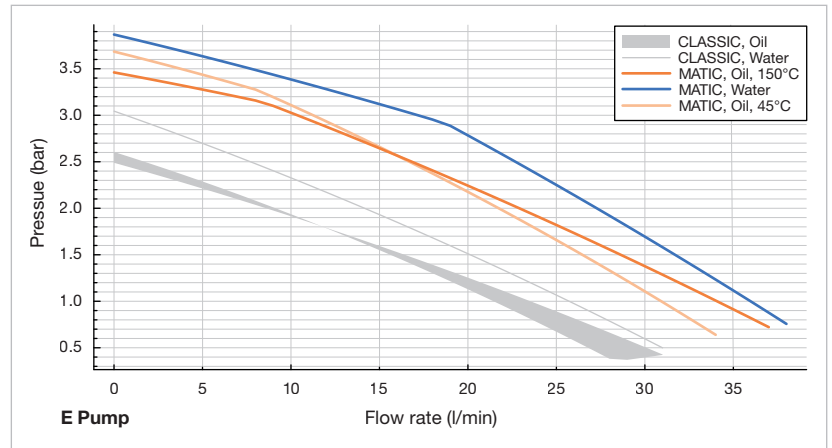
- Mould emptying
- Leak stopper function

TT-188

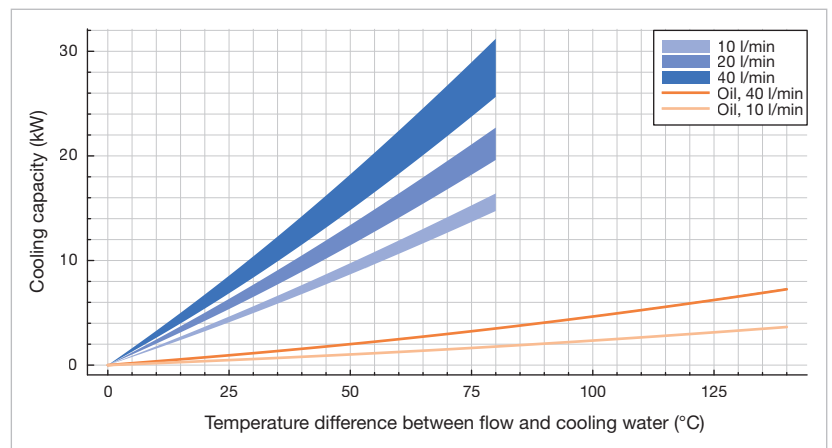
- Mould emptying
- Leak stopper function
- Flow measurement



Pump characteristic

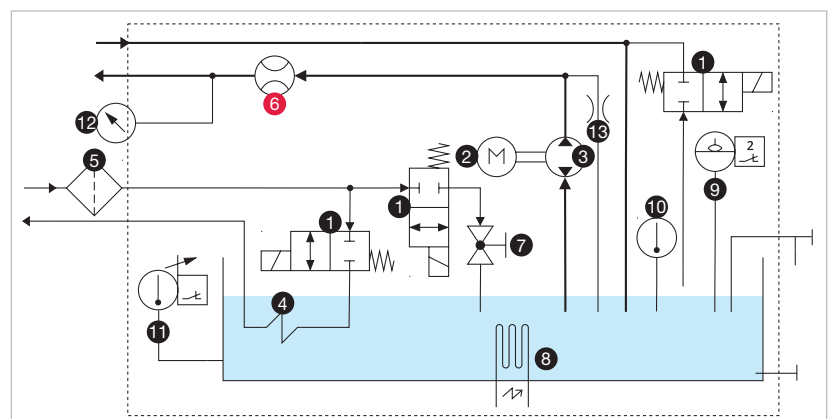


Cooling capacity



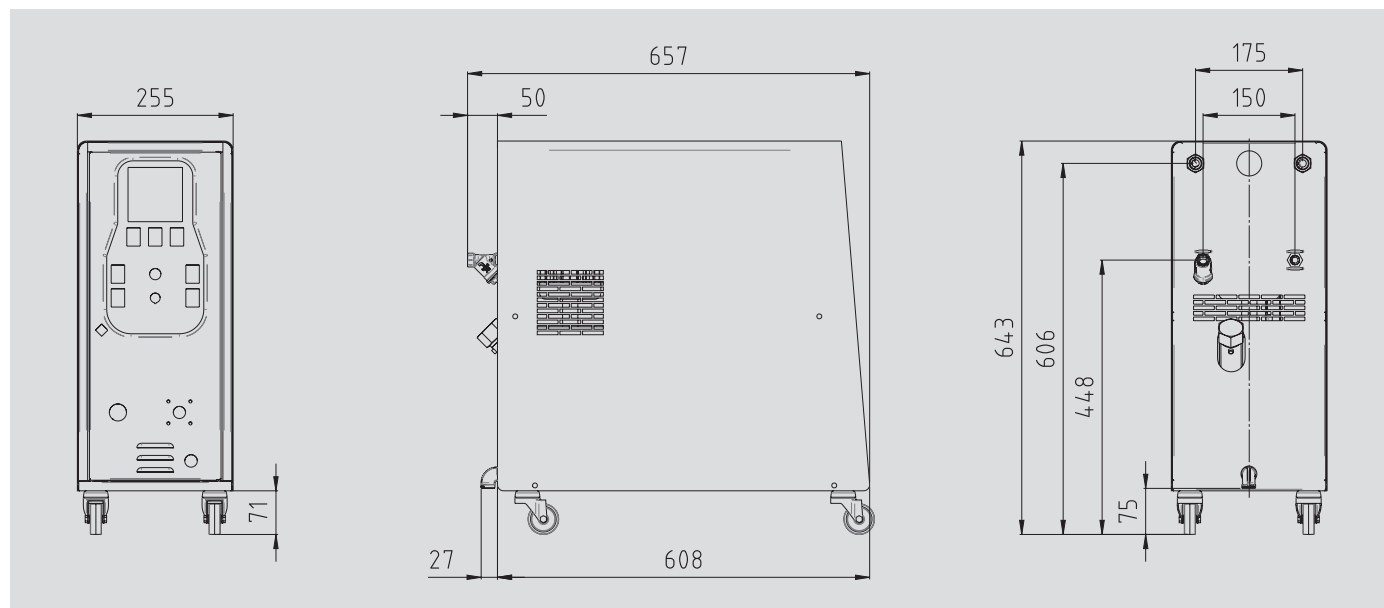
Performance data min. at 16 l/min @ 1.5 bar; max. at 38 l/min @ 8 bar cooling water

Fluidic diagram



1 1-2 way valve (normally closed), 2 pump motor, 3 pump with reversible pumping direction, 4 Cooling coil, 5 Filter, 6 Flow sensor (TT-188), 7 Ball valve, 8 Heating element, 9 Level sensor, 10 Temperature sensor, 11 Thermostat, 12 Pressure sensor, 13 Pump bypass

Technical specifications



| | Water | Oil |
|--|---|--------|
| Maximum temperature | 90 °C | 150 °C |
| Heating capacity | 9 kW | 3 kW |
| Cooling capacity | See diagram | |
| Filling volume (heat-transfer fluid) | Minimum 5 liters, maximum 7 liters | |
| Pump | Type E | |
| Pressure and flow rate | See diagram | |
| Motor rated power | 0,75 kW | |
| Control system | MP-888 | |
| Temperature measurement | Temperature sensor FeKo type J | |
| Pump-pressure measurement | Manometer | |
| Flow measurement (heat-transfer fluid) | Paddle-wheel sensor with inductive pickup | |
| Interfaces optional (only for TT-188) | MP-988 | |
| | RS232, RS485, CL 20 mA (Accessories) | |
| Connections | | |
| Heat-transfer fluid (feed and return) | ½" BS female thread | |
| Cooling water inlet | ¾" BS female thread, with water filter | |
| Cooling water outlet | ¾" BS external thread | |
| Empty weight | 55 kg | |
| Colour | Silvergrey RAL 7001 | |
| Environment | | |
| Temperature range | 5-40 °C | |
| Relative humidity | 40-80 % RH (non-condensing, no icing) | |
| Installation | Inside, keep at least a distance of 10 cm around the ventilation openings | |
| Continuous noise level | < 70 dB (A) | |
| Power supply | 380-480 V, 50/60 Hz or alternatively 200-240 V, 50/60 Hz | |
| | Pump type E | |
| Connected load | 10,1 kW | |
| Conductor cross-section of connection cable | | |
| 200-240 V | 10 mm ² | |
| 380-480 V | 4 mm ² | |
| Ingress protection code | IP44 | |
| Marking | CE | |