

CLASSIC

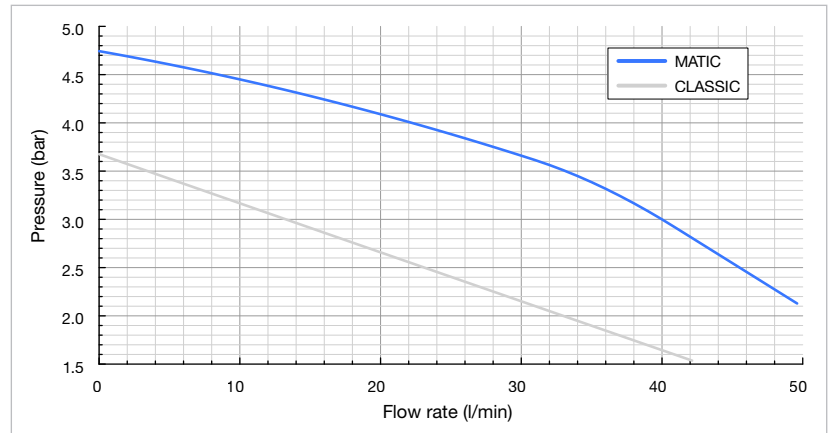
Water

TT-137 N

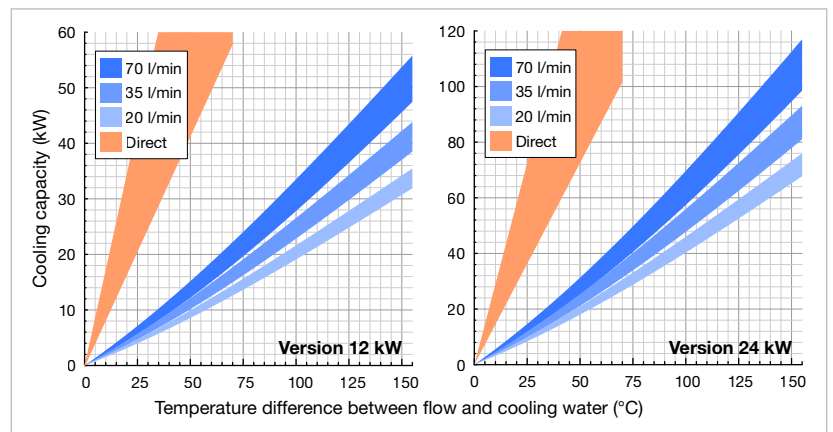
TT-138 N

- Mould emptying with compressed air
- Leak stop operation
- Flow meter
- Direct and indirect cooling
- External measurement

Pump characteristic curve

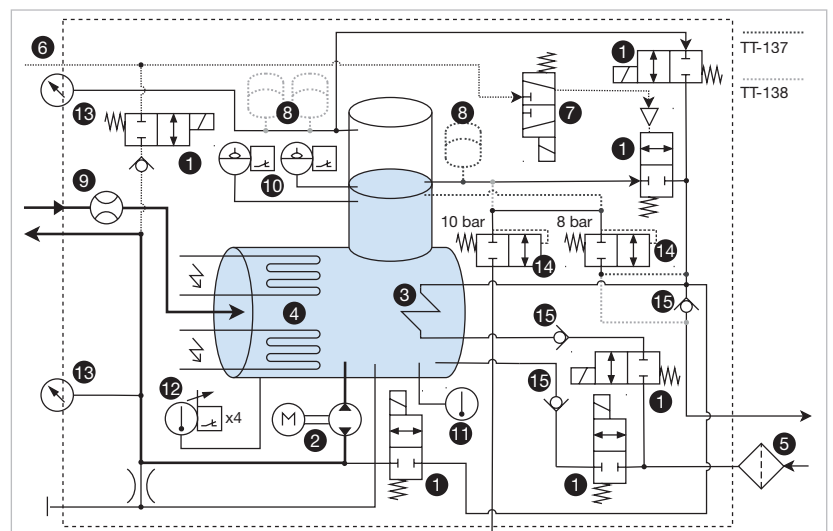


Cooling capacity



Power specifications 12 kW at min. 12 l/min @ 2 bar; at max. 25 l/min @ 8 bar cooling water
 Power specifications 24 kW at min. 21 l/min @ 2 bar; at max. 42 l/min @ 8 bar cooling water

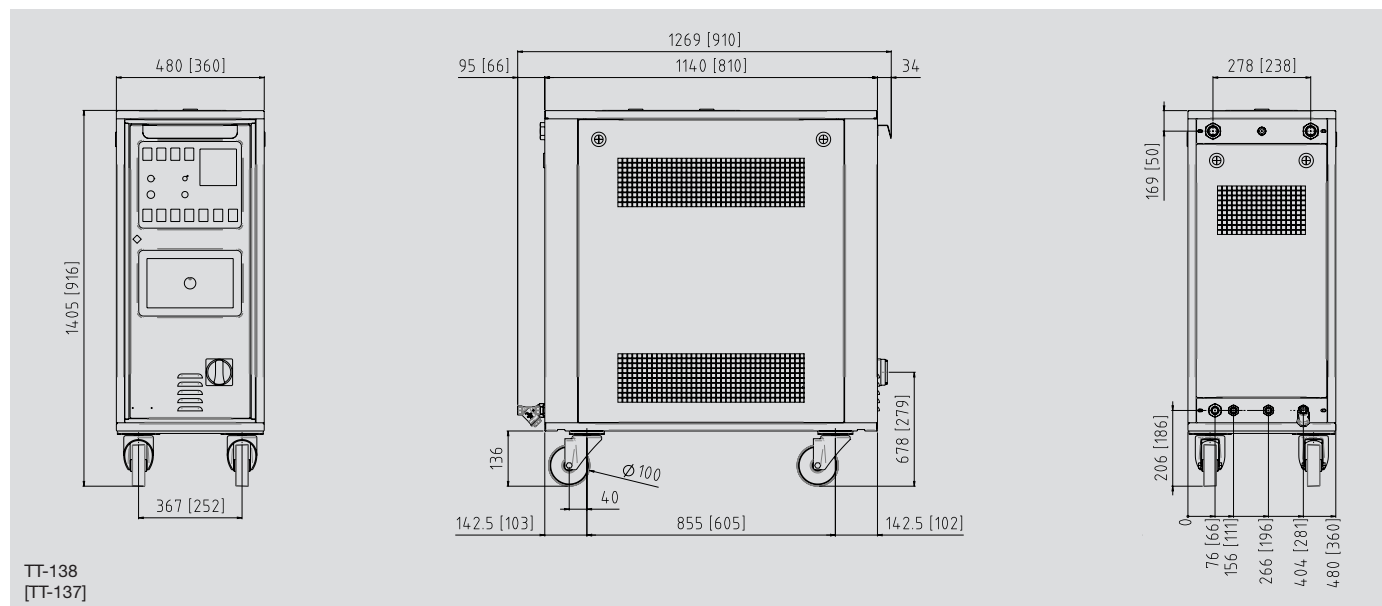
Fluidic diagram



1 2-2 way valve (normally closed), 2 Circulation pump with reversible pump direction, 3 Cooling coil, 4 Heating element, 5 Filter, 6 Compressed air supply, 7 Pilot valve for pneumatic 2-2 way valve, 8 Expansion vessel, 9 Flow sensor, 10 Level sensors, 11 Temperature sensor, 12 Thermostat, 13 Pressure gauge, 14 Pressure relief valve, 15 Non-return valve



Technical data



TT-138
[TT-137]

	CLASSIC Water TT-137 N	CLASSIC Water TT-138 N
Maximum temperature	140 °C	140 °C
Heat output	12 kW	24 kW
Cooling capacity	See diagram	
Pump	Type N	
Pressure and flow rate	See diagram	
Rated power of the motor	1.5 kW	
Control system	MP-888	
Temperature measurement	Temperature sensor FeKo type J	
Pump pressure measurement	Pressure gauge	
Flow measurement (heat transfer medium)	Bevel gear sensor with inductive pick-up	
Connections		
Heat transfer medium (flow and return)	¾" BS internal thread	¾" BS internal thread
Cooling water, inlet	¾" BS female thread, with water filter	1" BS female thread, with water filter
Cooling water, outlet	¾" BS male thread	1" BS male thread
Compressed air	¼" BS internal thread	¼" BS internal thread
Unladen weight	120 kg	180 kg
Colour	Silver grey RAL 7001	
Surroundings		
Temperature range	5-40 °C	
Relative humidity	40-80 % RH (non-condensing, no ice formation)	
Installation	Inside, ventilation openings must be at least 10 cm clear	
Continuous sound pressure level	< 70 dB (A)	
Power supply	380-480 V, 50/60 Hz or alternatively 200-240 V, 50/60 Hz	
	Pump type N	
Connected load	13.6 kW	25.6 kW
Conductor cross-section of connection cable		
200-240 V	10 mm ²	25 mm ²
380-480 V	6 mm ²	10 mm ²
Protection class device	IP44	
Labelling	CE	