

	Chilled system process flow pipework
	Chilled system process return pipework
	Chilled system re-circulate flow pipework
	Chilled system re-circulate return pipework
	Ambient system process flow pipework
	Ambient system process return pipework
	Ambient system re-circulate flow pipework
	Ambient system re-circulate return pipework
	Chilled condenser return pipework
	Pump Symbol
	Isolation Valve or Globe Valve
	Non Return Valve
	Pressure Gauge
	Direction of Flow

NOTE:

MAIN SYSTEM PIPEWORK.

ALL MAIN AIRBLAST PIPEWORK 100NB,
EACH SUPPLY TO THE MACHINES RANGES BETWEEN 50 to 25NB
DEPENDING ON PROCESS.
ALL SERVICE DROPS TO FINISH APPROXIMATELY 750MM -1000MM FFL.

ALL MAIN CHILLED PIPEWORK 100NB,
EACH SUPPLY TO THE MACHINES RANGES BETWEEN 50 to 25NB
DEPENDING ON PROCESS.
ALL SERVICE DROPS TO FINISH APPROXIMATELY 750MM -1000MM FFL.

PLANT EQUIPMENT PIPEWORK.

ALL CHILLER PIPEWORK TO THE CHILLER TO BE 80NB, EACH SUPPLY TO BE
80NB FOR THE EXTERNAL AIR COOLED CHILLERS AND 65NB FOR THE
TOOL-TEMP CHILLERS.

ALL AIRBLAST PIPEWORK TO BE 100NB, EACH CONNECTION TO BE 80NB.

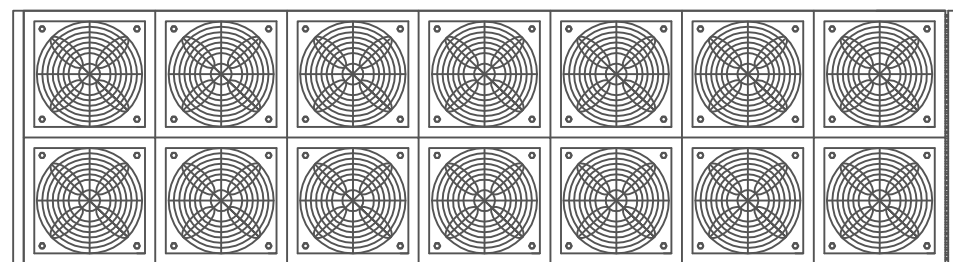
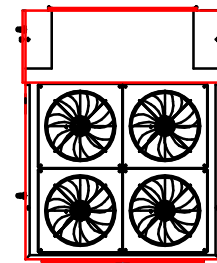
ALL EXTERNAL PIPEWORK ARMAFLEX INSULATION, COVERED WITH
STUCCO COVERING.

MAINS COLD WATER

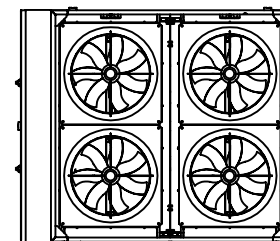
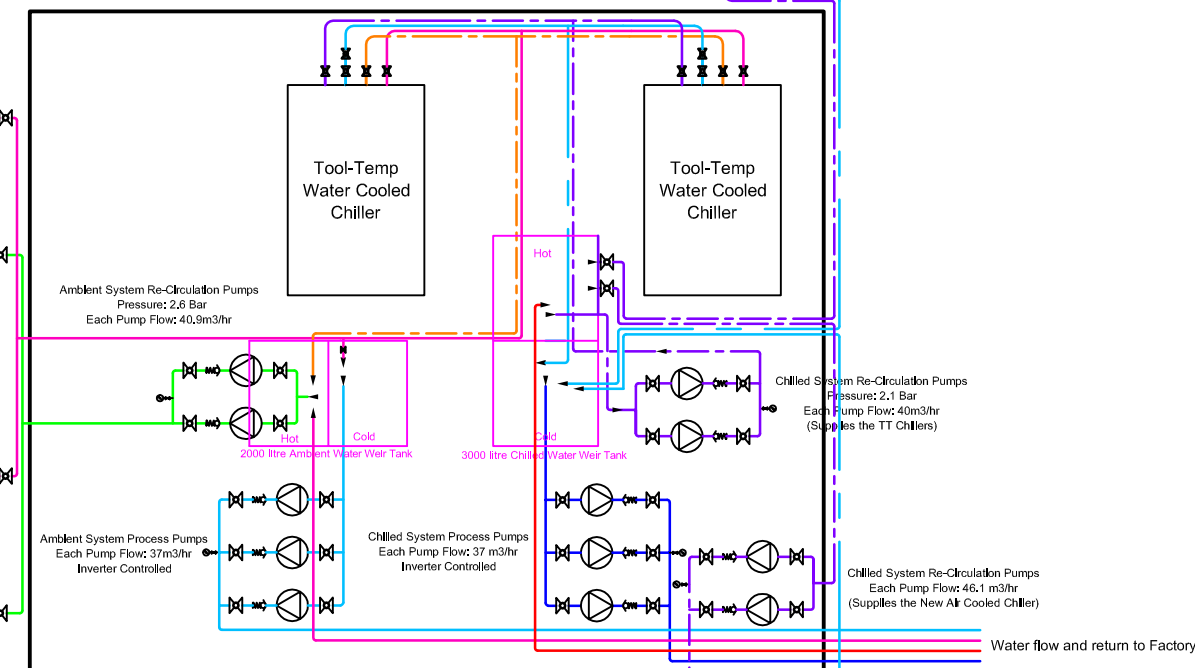
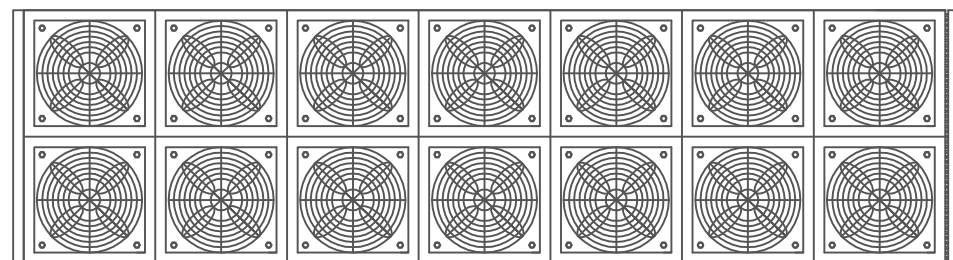
ALL MAINS WATER PIPEWORK WILL BE 15NB PE.

ALL PIPEWORK 304/314 STAINLESS STEEL, WELDED / CRIMPED AND
SCREWED. ALL ISOLATION VALVES 1/2" TURN NITRILE LINED BUTTERFLY
AND 1/2" TURN BALL VALVES. ALL GLOBE VALVES BRASS.

Air Cooled Chiller
(Fitted with Run and standby
pumps internally)



Ambient System Adiabatic Airblast(s)



Air Cooled
Chiller



TOOL-TEMP LTD
UNIT 3, EVERITT CLOSE, DENINGTON
INDUSTRIAL ESTATE
WELLINGBOROUGH, NORTHAMPTONSHIRE
NN8 2QE

TEL: 01933 442623
FAX: 01933 274837

CUSTOMER: TOOL-TEMP LTD

DRAWING TITLE: PLANT ROOM SCHEMATIC

SCALE:

DRG NO: JDRPBVR02 DRAWN: JDR

DATE:

THIS DRAWING CONTAINS CONFIDENTIAL INFORMATION AND
REMAINS THE PROPERTY OF TOOL-TEMP LTD. WITHOUT WHOSE
PERMISSION IT MAY NOT BE COPIED, SHOWN OR HANDED TO A
THIRD PARTY OR USED AS THE BASIS FOR ALTERNATIVE
DESIGNS.